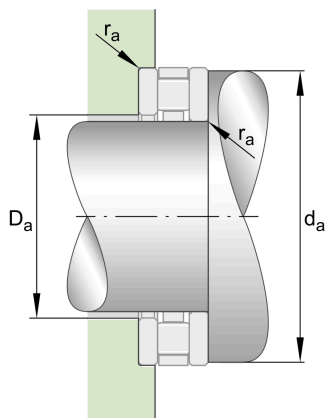
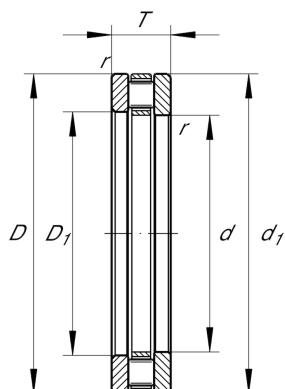
**81112-TV**

## Axial cylindrical roller bearing

Schaeffler ID:  
0007104310000Axial cylindrical roller bearings 811, single  
direction, comprising K811, GS, WS

## Technical information

**Main Dimensions & Performance Data**

d	60 mm	Bore diameter
D	85 mm	Outside diameter
T	17 mm	Height
$C_a$	103,000 N	Basic dynamic load rating, axial
$C_{0a}$	315,000 N	Basic static load rating, axial
$C_{ua}$	32,500 N	Fatigue load limit, axial
$n_G$	3,950 1/min	Limiting speed
$n_{gr}$	1,360 1/min	Reference speed
	0.003 kg	Weight

**Additional information**

	K81112-TV	Axial roller and cage assembly
$D_1$	62 mm	Bore diameter housing washer
	GS81112	Housing Washer
$d_1$	85 mm	Rip diameter shaft washer
	WS81112	Shaft washer
	LS6085	Track Washer
$r_{min}$	1 mm	Minimum chamfer dimension

**Mounting dimensions**

$d_{a min}$	82 mm	Minimum diameter shaft shoulder
$D_{a max}$	62 mm	Maximum diameter of housing shoulder
$r_{a max}$	1 mm	Maximum recess radius

**Temperature range**

$T_{min}$	120 °C	Operating temperature min.
$T_{max}$	-30 °C	Operating temperature max.